

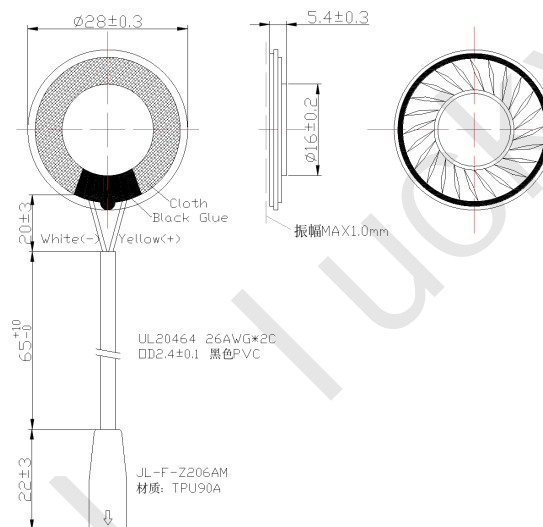
ELECTRICAL SPECIFICATIONS

	Condition	Parameter	Unit
Sound Pressure Level	at 0.8K 1.0K 1.2K 1.5KHz in 0.1W/0.1M average (0dB SPL=20μPa)	90 ± 3	dB
Rated Input Power		2	W
Max Input Power		3	W
Rated Impedance	at 2.0 kHz	8 ± 15%	Ω
Resonant Frequency (Fo)	at 1.0	750 ± 20%	Hz
Frequency Range	Output S.P.L. -10dB	Fo~20K	Hz
Buzz, Rattle, etc.	must be normal at sine wave between Fo ~ 5K Hz	4.0	V
Magnet		Nd-Fe-B	
Operating Temperature		-20~60	°C
Waterproof		N/A	
Weight			g

MECHANICAL DRAWING

Dimensions in mm

Tolerance±0.3mm Except Specified



Mylar Speaker (喇叭)

Model : LWS-28054LP-08W2.0-B1

Date: 2023-03-08

File No.: YFS-001

